


Decarox

Airtightness checking machine for 10 watches by volumetric comparison

Datasheet, 23.03.2023, V1.1

 Engineered and made in Switzerland

The Decarox is a precision measuring device for the checking of the airtightness of watches, using volumetric control technology.

It measures air leaks in watch cases at a pressure of between 0 and 10 bar, as well as in vacuum (-0,5 bar).

The advantage of this process is that it prevents the watch case, and therefore the movement, from coming into contact with potentially damaging water in the event of a leak.

Machine functions

- Tests 10 watch cases at the same time by volumetric comparison
- No need for a special stand or support
- Dual print bucket lined with an anti-scratch coating (XS and L, S and M)
- Interchangeable plates
- Color touch-screen
- Minimized external dimensions
- "Standard" cycle time about 1 minute 30 seconds and 3 minutes 30 seconds

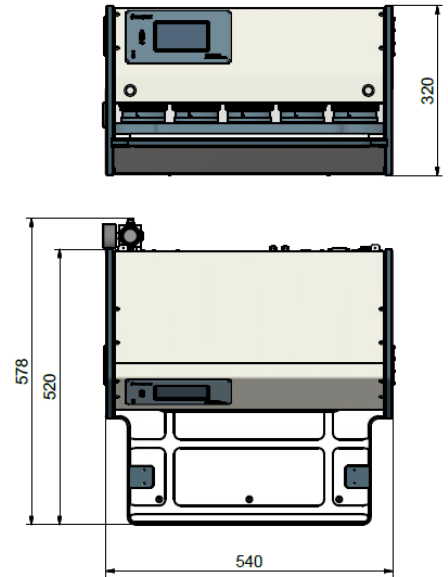
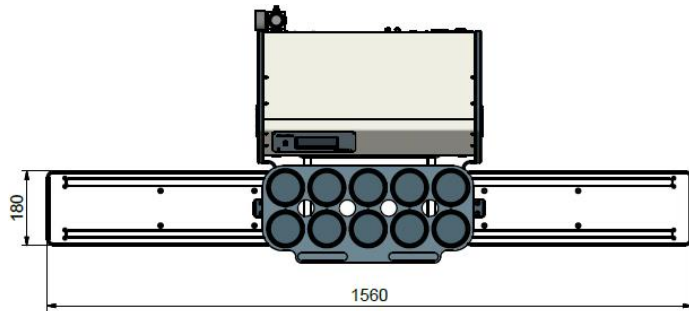


Software functions

- Intuitive menus in 5 languages
- Many adjustable parameters
- Simple and intuitive programming
- Specific per watch case or generic programs
- Watch cases volume learning function
- Export of measurement results via USB stick

Technical specifications

Supply voltage :	110-230 V / 50-60 Hz
Power :	150 W
Minimum inlet pressure :	5 bar
Maximum inlet pressure :	12 bar
Ambient humidity rate :	Between 30 et 60 %
Ambient temperature :	20 to 28 °C
Weight :	62 kg (+15 kg transfer system)
Dimensions (l/d/h) :	540 (1560) x 578 x 320 mm



Available options

Transfer system



Possibility of loading in hidden time
(2 bucket-holder trays).

Weight :	15 kg
Dimensions (l/d/h) :	1560 x 80 x 180 mm

Transport and storage suitcase for 10 buckets



Content :	10 Buckets + 10 Disc 15000 mm ³
Material :	Foam FT/PZ 29 + polypropylene case
Color :	Black
Empty weight :	900 g
Dimensions :	(l/w/h) 395 x 295 x 106 mm